

Typical Applications

High and Low Side Pressure Measurements in Refrigeration Systems

Product Refrigeration

Refrigerant Recovery

Transport Refrigeration

Environmental Test Equipment



Description

The P528 incorporates Kavlico's 4th generation ceramic capacitive sense element with the latest state-of-the-art ASIC. Available with a brass or stainless steel housing, the P528 has been specifically designed for high volume OEM refrigeration applications. It can endure the high vibration, broad temperature ranges and humidity conditions found in refrigeration systems while withstanding high over-pressures and pressure pulsations without damage or degradation.

The P528 package has a built-in Metri-Pack 150, electrical connector and supports male and female pressure connections. The P528 is offered with seal materials that are suitable for many of the latest refrigerants such as R134a, R22, R123, R12, R410A, including many of the proprietary blends, and associated lubricants.

Standard Full Scale Pressure Ranges

0-100 through 0-1,000 PSI

0-6 through 0-70 Bar

Absolute and Sealed Gage

Features

- UL Certified Component
- Small Size (3/4" Hex)
- External Hex for Easy Installation
- SAE female Pressure Connection with Built-in Schrader Deflator
- Linear Amplified Output
- Temperature Compensated
- Superior Long-Term Stability
- Low Power Consumption
- Minimum Life Expectancy: 10 Million Cycles
- Outstanding Shock & Vibration Performance
- 36Vdc Over Voltage and Reverse Polarity Protection

Technical Specifications

Note: Performance Specifications with 5 Vdc \pm 0.002 Vdc supply at 25°C

Pressure Ranges:	See "How to Order"
Proof Pressure:	3x F.S. Pressure (up to 200 PSI [14 Bar]) 2x F.S. Pressure (above 200 PSI [14 Bar])
Burst Pressure:	1,500 PSI [100 Bar] (up to 350 PSI [24 Bar]) 2,500 PSI [170 Bar] (above 350 PSI [24 Bar])
Supply Voltage:	5.00 \pm 0.50 Vdc
Supply Current:	< 5mA
Nominal Output Voltage:	0.5 to 4.5 Vdc
Linearity Error:	< \pm 0.5% of Full Span
Total Error Band¹:	\pm 1.5% of Span ($0^\circ \leq T \leq 85^\circ\text{C}$) \pm 2.0% of Span ($T < 0^\circ, T > 85^\circ\text{C}$)
Accuracy²:	< 0.5% of Span
Output Impedance:	< 100 Ω
Over Voltage Protection:	36 Vdc
Reverse Polarity Protection:	-36 Vdc
Operating Temperature:	-40°C to +125°C (Seal Material Dependent)
Storage Temperature:	-40°C to +125°C (Seal Material Dependent)
Service Life:	10 Million Full Pressure Cycles (Minimum)
Vibration:	10 g's Peak-to-Peak Sine (10 to 2,000 Hz)
Mechanical Shock:	75 g's 1/2 Sine Wave
Stability:	\pm 0.5% of Full Span over 1-Year
Response Time:	< 2ms to 63% of Final Output Voltage with step change in Input Pressure
Housing Material:	Brass (P \leq 350 PSI [24 Bar]) Stainless Steel (P > 350 PSI [24 Bar])
Weight:	< 50 grams
Electrical Termination:	Packard Electric Metri-Pack 150 Series ³
Pressure Connection:	See "How to Order"
Output Load:	> 10 k Ω

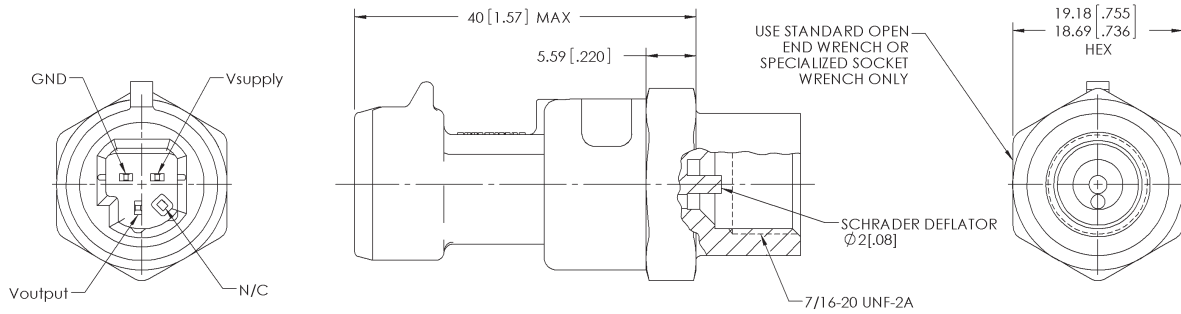
¹ Accuracy is the sum of linearity, repeatability and hysteresis errors at 25°C

² Total Error Band includes all sources of error, including effects of Offset, Span, Temperature and Accuracy

³ Electrical termination (black) for pressure ranges \leq 350 PSI [24 Bar], (white) for pressure ranges > 350 PSI [24 Bar]

P528 Refrigeration Ceramic Pressure Sensor

Dimensions in: mm [inches]



Shown with Pressure Connection "Option 2" from How to Order chart

How to Order

Use this diagram, working top to bottom and left to right to construct your model number. An example is shown below. Custom OEM options are also available.

P528 Refrigeration Ceramic Pressure Sensor			
Pressure Ranges			
100	0 – 100 PSI	6B	0 – 6 Bar
150	0 – 150 PSI	10B	0 – 10 Bar
300	0 – 300 PSI	16B	0 – 16 Bar
400	0 – 400 PSI	25B	0 – 25 Bar
500	0 – 500 PSI	40B	0 – 40 Bar
600	0 – 600 PSI	50B	0 – 50 Bar
750	0 – 750 PSI	70B	0 – 70 Bar
1000	0 – 1000 PSI	XXB	0 – XX Bar (Large Volume Only)
XXX	0 – XXX PSI (Large Volume Only)		
Reference			
A	Absolute		
S	Sealed Gage (Referenced to 14.7 PSIA)		
Seal Material			
C	Neoprene (-40° to 120°C)		
F	Ethylene Propylene (-40° to +120°C)		
H	HNBR (-25° to +125°C)		
Pressure Connection			
1	1/4-18 NPT (External Threads)		
2	1/4 SAE Female Flare w/ Schrader Deflator (7/16-20 UNF-2A Internal Threads)		
3	7/16-20 UNF-2A Per SAE J513f (External Threads)		
4	1/8-27 NPT (External Threads)		
Electrical Connection			
A	With Mating Connector, w/12", 18 AWG Leads		
C	Without Mating Connector		

Don't see exactly what you want?

Call us at +1 (805) 523-2000 to customize this product to meet your application-specific needs!

P528 - 500 - S - F 1 A

Example: P528-500-S-F1A

Description: P528 Pressure Sensor, 0-500 PSI Sealed Gage, Ethylene Propylene Seal Material, 1/4-18 NPT Pressure Connection, with Mating Connector

Kavlico warrants that its products will be free from defective materials and workmanship for a period of one (1) year from date of delivery to the original purchaser and that its products will conform to Kavlico's specifications or standards. Any product found to be defective will be replaced or repaired at the sole option of Kavlico. EXCEPT AS STATED ABOVE, KAVLICO MAKES NO WARRANTIES, EXPRESSED OR IMPLIED, AND SPECIFICALLY DISCLAIMS ANY IMPLIED WARRANTIES OF FITNESS FOR A PARTICULAR PURPOSE, MERCHANTABILITY, NON-INFRINGEMENT OR OF ANY OTHER KIND. Additionally, Kavlico will not be liable and provides no guarantee, responsibility, or warranties of any kind concerning the suitability or related to the use of its product(s) for the life support market or to be used in life support systems, safety or emergency systems, critical care applications, human implantation, aviation, nuclear facilities, or systems or any other applications where product failure could lead to injury to persons, loss of life, harm to the environment, or catastrophic property damage.

Note: Kavlico reserves the right to change its specifications at any time without notice.



14401 Princeton Ave. • Moorpark, CA 93021 USA

Tel: +1 (805) 523-2000 • Fax: +1 (805) 523-7125

Web: www.kavlico.com

Email: pressure.sensors@kavlico.com

