

P4055/P4056

Pressure Transducers



Description

The P4055 and P4056 Pressure Transducers incorporate a back-side PRT configuration that is compatible with many types of liquid and gaseous media.

This flexible product family can be supplied with a built in Metri-Pack 150 electrical connector. The small sensor size is ideal for high volume applications. Pressure ranges may be customized for OEM applications.

The P4055 is specified with pressure ranges measured in PSI and the P4056 pressure ranges are measured in Bar.

Features

- Small Size
- Absolute, Gage or Sealed Gage Pressure References
- Packard Metri-Pack 150 Electrical Connector Standard
- 0.5 to 4.5 Vdc Output
- High Vibration Tolerance
- Superior EMI/RFI Performance
- Available with NPT, G1/4, M10, & M12 Pressure Ports
- Temperature Compensated
- RoHS Compliant



Applications

- Pumps & Compressors
- Process Controls
- Filter Restriction
- Oil and Fuel Pressures
- Water Management
- Level Measurement
- Test & Monitoring Equipment

Standard Full Scale Pressure Ranges

0-3 through 0-300 PSI
0-200 through 0-300 mBar
0-200mBar through 0-20 Bar
Absolute, Gage, or Sealed Gage

Technical Specifications

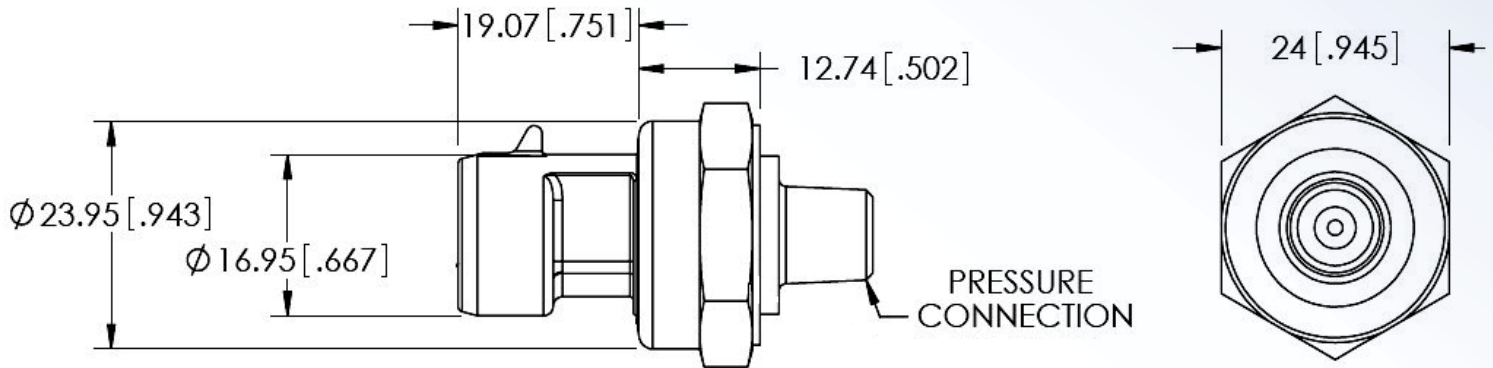
Note: Performance Specifications with 5v ± 0.002 Vdc supply at 25°C

Pressure Ranges:	See "How To Order"	Output Impedance:	< 100 Ω
Proof Pressure:	2x (F.S. Pressure) (P≤175 PSI [12 Bar]) 1.5x (F.S. Pressure) (P>200 PSI [14 Bar])	Operating Temperature:	-20°C to +100°C
Burst Pressure:	600 PSI (41 Bar)	Storage Temperature:	-40°C to +125°C
Supply Voltage:	5.0 ± .5 Vdc	Service Life:	10 Million Full Pressure Cycles
Supply Current:	<5mA	Vibration:	10G's P-P Sinusoidal, from 10-2000 Hz
Response Time:	<10mS to 63% of Output Change with Step Change in Pressure	Shock:	75 G's ½ Sine Wave
Normal Output Voltage:		Weight:	≤40 grams
Zero/Null Pressure:	0.5 Vdc	Electrical Termination:	See "How to Order"
Full Pressure:	4.5 Vdc	Pressure Connection:	See "How to Order"
Linearity Error:	<±0.5% of Full Span	Recommended Interface Impedance:	Min. Load 25 k Ω
Total Error Band:	≤2.0% of Span (-20°C to +100°C)	Over-Voltage Protection:	30 Vdc
		Reverse Polarity Protection:	-30 Vdc
		Material - Main Housing:	Brass



P4055/P4056

Pressure Transducers



How to Order

P4055 Pressure Transducer P4056 Pressure Transducer

Pressure Ranges

3	0 – 3 PSI (Not available in Absolute)	P2	0 – 200 mBar (Not available in Absolute)
5	0 – 5 PSI (Not available in Absolute)	P3	0 – 300 mBar (Not available in Absolute)
15	0 – 15 PSI	1	0 – 1 BAR
30	0 – 30 PSI	2	0 – 2 BAR
50	0 – 50 PSI	4	0 – 4 BAR
75	0 – 75 PSI	5	0 – 5 BAR
100	0 – 100 PSI	7	0 – 7 BAR
150	0 – 150 PSI	10	0 – 10 BAR
200	0 – 200 PSI	15	0 – 15 BAR
300	0 – 300 PSI	20	0 – 20 BAR

Reference

A	Absolute
G	Gage
S	Sealed Gage

Internal Media Seal Material*

E	Fluorosilicone
---	----------------

*Consult factory about additional seal material options.

Pressure Connection (Port)

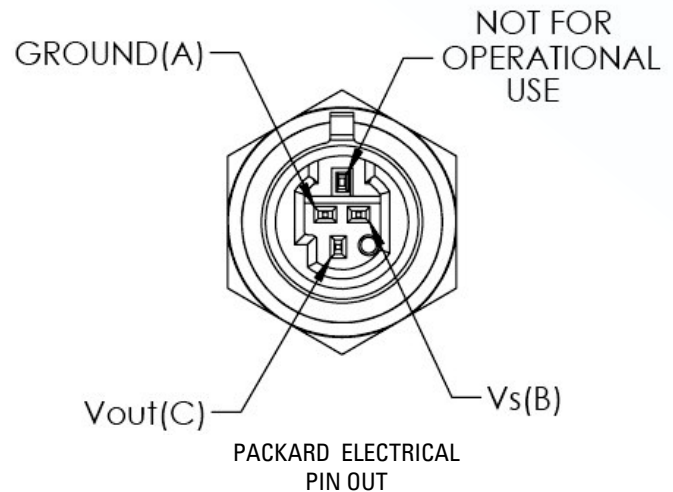
1	1/4-18 NPT
2	M12x1,5
3	M10x1
4	1/8-27 NPT
5	G1/4 - Male
6	G1/4 - Female

Built-in Electrical Connector

A	Packard Connector with Mating Connector and 12" Leads
C	Packard Connector

P4055 75 A E 1 A
Example: P4055-75A-E1A

Contact Kavlico for accuracy options, custom packaging, alternative pressure ranges, pressure connections or other OEM or application specific requirements.



Although possible applications for our product(s) and other statements are presented herein, Kavlico is not expert in the user's technical field and therefore does not warrant the suitability of its product(s) for the user's applications. Therefore, Kavlico will not accept any liability and provides no guarantee, responsibility, or warranties of any kind concerning the suitability or related to the use of its product(s) for the user's applications.

Additionally, Kavlico will not be liable and provides no guarantee, responsibility, or warranties of any kind concerning the suitability or related to the use of its product(s) for the life support market or to be used in life support systems, safety or emergency systems, critical care applications, human implantation, aviation, nuclear facilities or systems or any other applications where product failure could lead to injury to persons, loss of life, harm to the environment, or catastrophic property damage.

Kavlico warrants that its products will be free from defective materials and workmanship for a period of one (1) year from date of delivery to the original purchaser and that its products will conform to Kavlico's specifications or standards. Any product found to be defective will be replaced or repaired at the sole option of Kavlico.

Note: Kavlico reserves the right to change its specifications at any time without notice. Kavlico is not an expert in the customer's technical field and therefore does not warrant the suitability of its product for the application selected by the customer.

Kavlico products are manufactured or covered by one or more of the following patents: 1,799,995, 4,735,098, 4,924,702, 4,967,071, 4,974,117, 5,020,377, 5,233,875, 5,275,054, 5,315,877, 5,329,819, 5,349,864, 5,349,865, 5,349,867, 5,369,989, 5,415,036, 5,528,930, 5,540,086, 5,553,502, 5,576,251, 5,578,843, 5,656,780, 5,824,889, 5,907,278, 5,923,952, 5,929,498, 5,929,754, 5,935,189, 6,008,113, 6,041,658, 6,148,674, 6,178,829, 6,211,558 B1, 6,279,407, 6,297,733, 6,311,566, 6,351,132 B1, 6,404,184 B1, 6,495,388 B1, 6,505,398 B2, 6,553,812 B2, 6,564,642 B2, 6,581,468 B2, 6,583,631 B2, 6,584,853 B2, 6,605,904 B1, 6,683,464 B2 with other U.S. and foreign patents pending.

CST
 CUSTOM SENSORS & TECHNOLOGIES

KAVLICO