

# GA Model

## Steering Handwheel

### Description

Kavlico's GA model Steering Handwheel (SHW) provides all the necessary elements for control, while providing signal indication via an internal RVDT. Our GA model SHW unit meets the small envelope, minimum weight, and high reliability demanded by the aerospace industry.

The design of the SHW unit contains many features common to Kavlico's overall line of pilot control products, whose reliability and durability have been verified through extensive qualification testing.

Operation of the steering handwheel downwardly actuates a single pole, double throw switch. This then signals that the handwheel is activated. Once that signal has been received, motion to the right or left is sensed by the integral RVDT. The signal moves the nosewheel left or right, steering the aircraft.

Extensive use of lightweight materials for the handle, cover, and body are used to keep the overall weight of the unit to a minimum.

An ergonomic, easy-to-use segment wheel has been installed per FAA 25 regulations.

Both the RVDT and micro-switches receive power through a Mil Std connector per D38999. The internal drive gear and anti-backlash segment gear, step down the input angle to an angle suitable for optimized RVDT performance.



### Features

- Contains Kavlico designed & manufactured RVDT
- Smooth return to center damper
- Design meets FAR Part 25 and RTCA-160
- 250,000 flight hours MTBF
- Simple 4-screw mount permits rapid line replacement

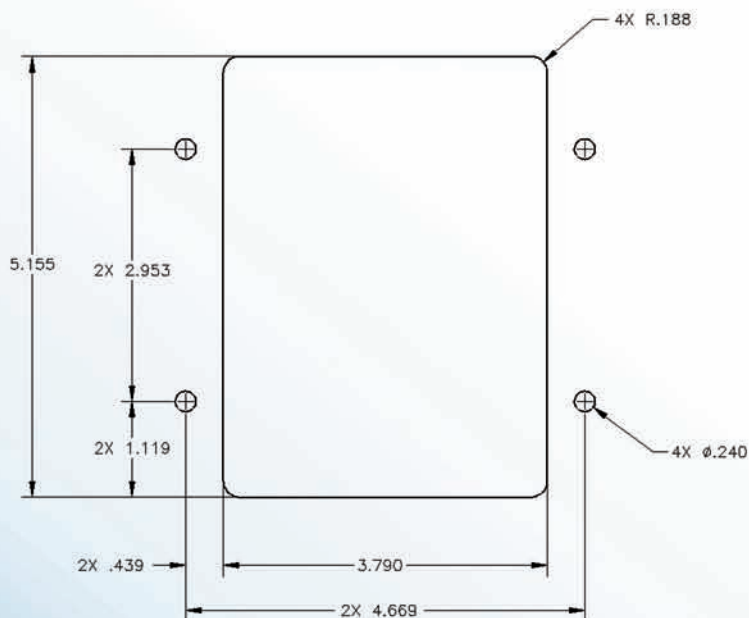
# GA Model

## Steering Handwheel

### Specifications

|                            |   |
|----------------------------|---|
| Operating Force (Turning): | 2.3 to 6.7 lbs. (10 to 30N)                                     |
| Mechanical Travel:         | ±80 degrees   |
| Wheel:                     | Lightweight   |
|                            | Semi-gloss black 27038 per Fed-Std 595                          |
| Activation Switch:         | Gold plated, sealed   |
| Electrical Receptacle:     | Mil. Std. D38999/20FB35PN                                       |
| Color Scheme:              | Cover and housing<br>Fed-Std 595, color 36231 (lusterless gray) |
| Weight:                    | 2.4 lbs. (1.1Kg.) Max.  |

### Cut Out Dimensions



### Schematic

