

GA Model

Flight Spoiler Control Lever (FSCL)

Description

Kavlico's GA model Flight Spoiler Control Lever (FSCL) meets the small envelope, minimum weight, and high reliability demanded by today's aerospace industry.

The design of the FSCL contains many features common to Kavlico's overall line of pilot control products. The FSCL's high reliability and durability have been verified through extensive qualification testing.

Once the button is depressed on the handle, the lever can be moved out of the stow position. As the lever moves, the output signals from the RVDTs change. These signals are processed in the flight control computer and the spoilers move to the commanded position (1/4, 1/2, 3/4 or Max-Emer).

Two pairs of RVDTs are driven by a lever, and the command signals generated are output via two Mil Std 38999, Series III connectors to the avionic system.

Features

- 4-Channel RVDT position feedback
- Locked stow
- Emergency position gated to prevent inadvertent movement
- 9 soft detents
- LED illuminated panel (LRU)
- 70,000 flight hours MTBF
- Simple 4-screw mount permits rapid line replacement



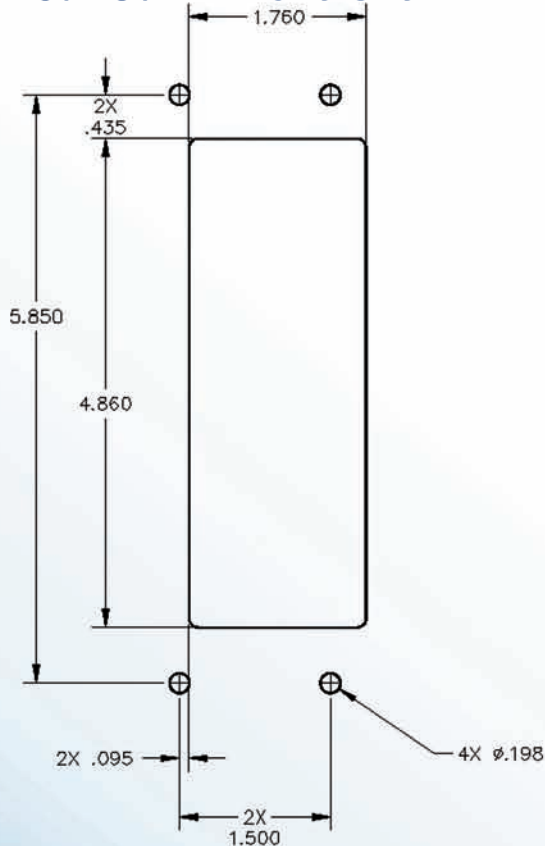
GA Model

Flight Spoiler Control Lever (FSCL)

Specifications

Six Positions:	5 positions and 1 gated position
Stow:	Locked position, depress button to go out of stow
Operating Force:	2.5 to 5 lbs. (11 to 22N)
Mechanical Travel:	48 degrees
Angled Handle:	White semi-gloss, color 27875 per FED-STD-595
Light Panel:	Flexiglass™ embedded light per Mil-P-7788, class 2-BW, SAE 7788, Type VII (LED), 5VDC
Electrical Receptacles:	Mil. Std. D38999, Series III
Weight:	3.25 lbs. (1.5 kg.) Max.

Cut Out Dimensions



Schematic

